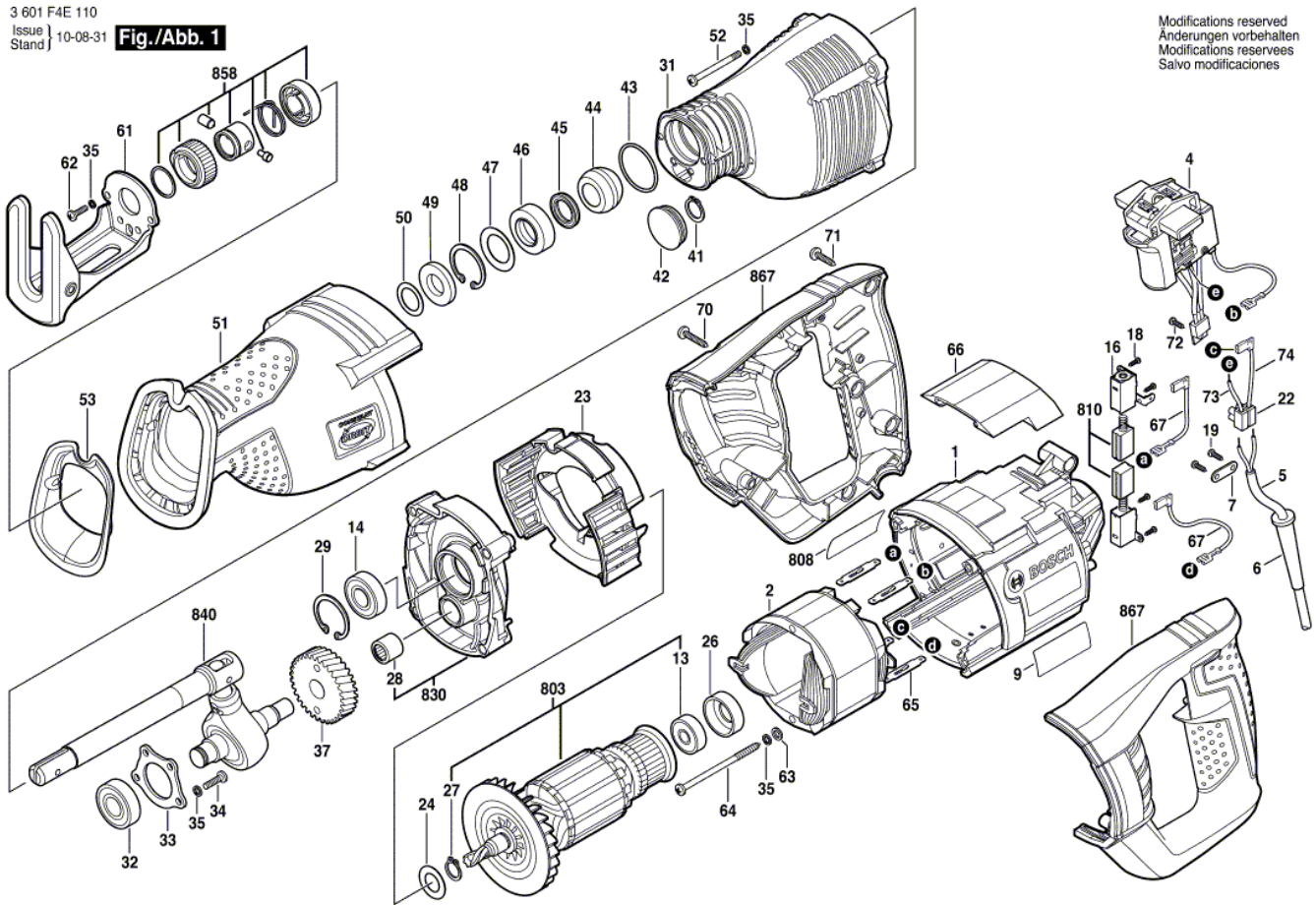




3 601 F4E 110
Issue 10-08-31
Stand

Fig./Abb. 1



Modifications reserved
Änderungen vorbehalten
Modifications reserves
Salvo modificaciones



Pos.	Part Number	Description	Pos.	Part Number	Description
1	2 610 010 009	Motor Housing			
2	2 610 010 007	Stator			
4	2 610 010 014	Switch			
5	2 610 020 919	Power supply cord			
6	2 610 956 866	Cord guard			
7	2 610 010 008	Clamp Bracket			
9	2 610 010 026	Adhesive Label			
13	2 610 010 004	Ball Bearing			
14	2 610 956 889	groove ball bearing			
16	2 610 956 874	Brush Holder			
18	2 610 010 013	Thread-forming tap. Screw			
19	2 610 956 867	Tapping Screw			
22	2 610 956 870	Terminal Block			
23	2 610 009 999	Baffle			
24	2 610 010 000	Washer			
26	2 610 013 249	Bearing Sleeve			
27	2 610 010 001	Retaining clip			
28	2 610 009 997	Needle-Roller Bearing			
29	2 610 009 995	Retaining clip			
31	2 610 009 984	Front Housing			
32	2 610 009 986	Ball Bearing			
33	2 610 009 987	Retaining Plate			
34	2 610 009 988	Thread-forming tap. Screw			
35	1 619 P04 820	Spring Washer			
37	2 610 009 994	Conversion Gear			
41	2 610 009 983	Retaining clip			
42	2 610 009 982	Sealing cap			
43	2 610 009 981	O-Ring			
44	2 610 009 980	Bushing			
45	2 610 009 979	Seal Ring			
46	2 610 009 978	Sintered-Metal Bushing			
47	2 610 009 976	Spring Washer			
48	2 610 009 975	Retaining clip			
49	2 610 009 974	Felt Washer			
50	2 610 009 973	Washer			
51	2 610 009 972	Insulating Sleeve			
52	2 610 009 977	Thread-forming tap. Screw			
53	2 610 009 971	Cover Plate			
61	2 610 009 963	Supporting foot			
62	2 610 010 036	Screw			
63	2 610 010 025	Locking Washer			
64	2 610 010 006	Thread-forming tap. Screw			
65	2 610 956 878	connecting terminal			
66	2 610 010 010	Cover Plate			
67	2 610 010 024	Connecting Cable			
70	2 610 956 864	Tapping Screw			
71	2 610 956 865	Tapping Screw			
72	2 610 010 022	Tapping Screw			
73	2 610 014 641	Connecting Cable			
74	2 610 014 644	Connecting Cable			
803	2 610 010 033	Armature set			
808	2 610 010 035	Nameplate			
810	1 619 P04 838	Carbon-Brush Set			
830	2 610 010 031	Bearing Bracket			
840	2 610 010 030	Spindle Assembly			
858	2 610 010 029	Blade Holder			
867	2 610 010 034	Set Of Handles			